

2MP WDR Starlight AF Network IR Bullet Camera

IPC262ER9-DUZ



Key Features

Optics

- Starlight illumination
- Up to 120 dB WDR(Wide Dynamic Range)
- Smart IR, up to up to 100m (328 ft) IR distance
- Optical glass window with higher light transmittance
- IR anti-reflection window to increase the infrared transmittance
- Day/night functionality

Compression

- Ultra 265,H.265, H.264, MJPEG
- Embedded smart algorithm
- Triple streams
- ROI (Region of Interest)
- 9:16 corridor mode
- Customized OSD

Network

- ONVIF Conformance

Structure

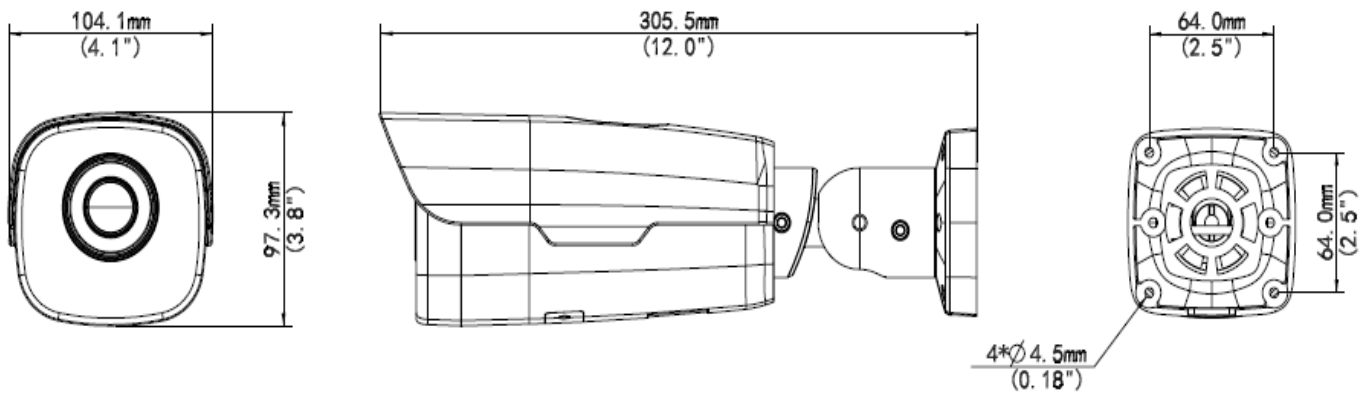
- Support PoE power supply
- Wide temperature range: -40°C to 60°C (-40°F to 140°F)
- Wide voltage range of $\pm 25\%$
- IP67
- IK10 vandal resistant
- 3-Axis

Specifications

IPC262ER9-DUZ					
Camera					
Sensor	1/2.8", progressive scan, 2 megapixel, CMOS				
Lens	2.8~12mm@F1.4; P-Iris, AF automatic focusing and motorized zoom lens				
DORI Distance	Lens	Detect(m)	Observe(m)	Recognize(m)	Identify(m)
	2.8mm	43.4	17.4	8.7	4.3
	12mm	186.2	74.5	37.2	18.6
Angle of View (H)	105°~33°				
Angle of View (V)	58.4°~14.9°				
Angle of View (O)	136.5°~40.6°				
Adjustment angle	Pan: 0°~360°		Tilt: 0°~90°		Rotate: 0°~360°
Shutter	Auto/Manual, 1~1/100000s				
Minimum Illumination	Colour: 0.001 Lux (F1.4, AGC ON) 0 Lux with IR				
Day/Night	IR-cut filter with auto switch (ICR)				
Digital noise reduction	2D/3D DNR				
S/N	>52dB				
IR Range	Smart-IR ,up to 100m (328ft) IR range				
Defog	Digital Defog				
WDR	120dB				
Video					
Video Compression	Ultra 265,H.265, H.264, MJPEG				
H.264 code profile	Baseline profile, Main Profile, High Profile				
Frame Rate	Main Stream:2MP (1920×1080): Max. 30 fps; Sub Stream:2MP (1920×1080): Max. 30 fps; Third Stream:D1 (720×576): Max. 30 fps				
9:16 Corridor Mode	Supported				
HLC	Supported				
BLC	Supported				

OSD	Up to 8 OSDs
Privacy Mask	Up to 8 areas
ROI	Up to 8 areas
Motion Detection	Up to 4 areas
Smart	
Behavior Detection	Intrusion, cross line, motion detection
Intrusion	Enter and loiter in a pre-defined virtual region
cross line	Cross a pre-defined virtual line
motion detection	Moving within a pre-defined virtual region
Recognition	Face detection、Audio detection
Intelligent Identification	Defocus, Scene Change, Object Left, Object Moving
Statistical Analysis	People counting
General Function	Watermark, IP Address Filtering, Tampering Alarm, Alarm input, Alarm output, Access Policy, ARP Protection, RTSP Authentication, User Authentication
Audio	
Audio Compression	G.711
Two-way audio	Supported
Suppression	Supported
Sampling Rate	8 KHZ
Storage	
Edge Storage	Micro SD, Up to 128 GB
Network Storage	ANR
Network	
Protocols	IPv4, IGMP, ICMP, ARP, TCP, UDP, DHCP, PPPoE, RTP, RTSP, RTCP, DNS, DDNS, NTP, FTP, UPnP, HTTP, HTTPS, SMTP, 802.1x, SNMP
Compatible Integration	ONVIF(Profile S, Profile G), API
Interface	
Audio I/O	Audio cable
	1 Input: impedance 35 kΩ; amplitude 2 V [p-p]
	1 Output: impedance 600 Ω; amplitude 2 V [p-p]
Alarm I/O	2 / 1
Serial Port	1 RS485
Network	1 RJ45 10M/100M Base-TX Ethernet
Video Output	1 BNC, impedance 75 Ω; amplitude 1 V [p-p]
General	
Power	DC12V ± 25%, AC24V ± 25% ,PoE (IEEE802.3 at)
	Power consumption: 13.7W
Dimensions (L × W × H)	305.5 × 104.1 × 97.3mm (12.0" × 4.1" × 3.8")
Weight	1.65 kg (3.6 lb)
Working Environment	-40°C ~ +60°C (-40°F ~ 140°F), Humidity :10%~95% RH(non-condensing)
Ingress Protection	IP67
Vandal Resistant	IK10
Reset Button	Supported

Dimensions



Zhejiang Uniview Technologies Co., Ltd.

South Tower, Building 10, Wanlun Science Park, 88 Jiangling Road, Hangzhou, P.R.China 310051

Email: overseasbusiness@uniview.com; globalsupport@uniview.com

<http://www.uniview.com>

©2016-2018 Zhejiang Uniview Technologies Co., Ltd. All rights reserved.

*Product specifications and availability are subject to change without notice.